

# Dell™ PowerVault™ DL Backup to Disk Appliance — Powered by Symantec Backup Exec™ Setup Diagram



**CAUTION:**

Before you set up and operate your Dell hardware, review the safety instructions that came with your system.

**End-User License Agreement (EULA)**

- Before using your system, please read the Dell End-User Software License Agreement (EULA) that came with your system. This agreement is also located at support.dell.com under "Terms of Sale."
- You must consider any CD, DVD, or diskette set of Dell-installed software as BACKUP copies of the software installed on your system's hard-disk drive.
- If you do not accept the EULA terms, please call the customer assistance telephone number. For customers in the United States, call 800-WWW-DELL (800-999-3355). For customers outside the United States, visit support.dell.com, specify your country or region in the Choose a Country/Region drop-down menu, and click Contact Us.

**Before You Begin**

Before setting up your hardware, make sure you have met the necessary site requirements:

**Network requirements**

- An active network with available LAN cabling and connections is required.
  - If not provided via Dynamic Host Control Protocol (DHCP), a static IP address is required.
  - If not provided via DHCP, a DNS Server IP address is required.
- A Windows Domain Name is required for Managed Media Services (MMS) or Central Administration Server (CAS).
- A username and password with administrator privileges are required.

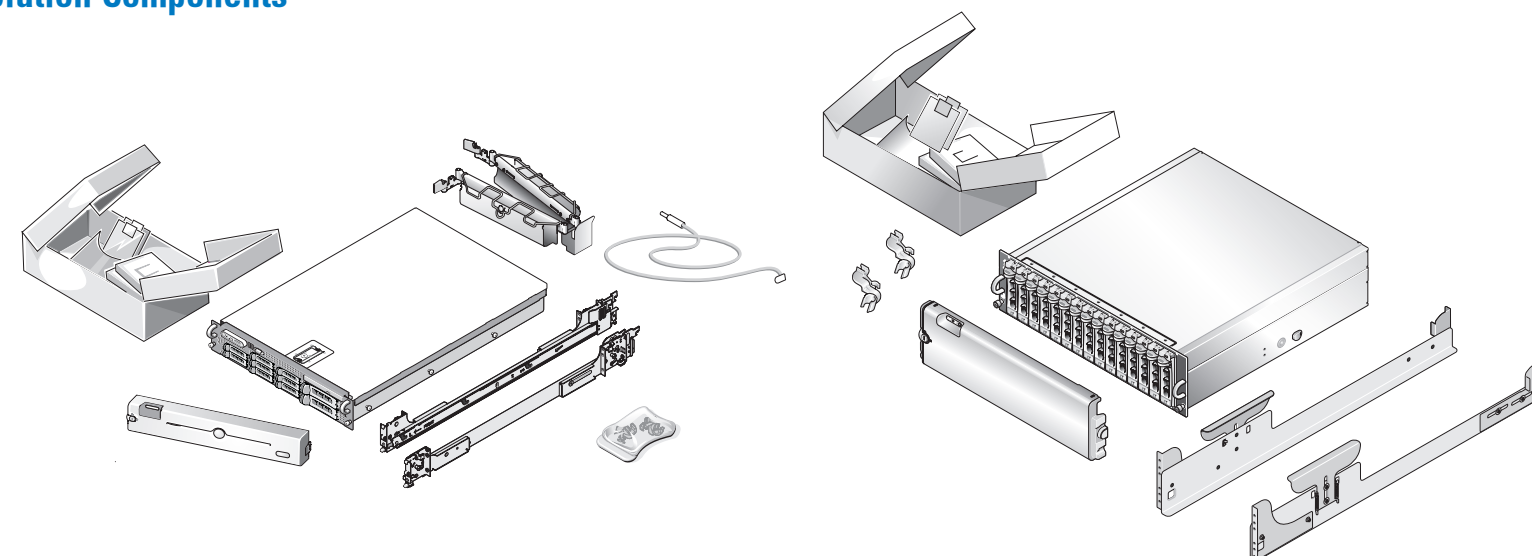
**Licenses**

- The Symantec Backup Exec™ Software License keys are shipped with the DL Backup to Disk Appliance and are located in the Dell | Symantec media kit container.
- The Symantec Licensing Portal at [licensing.symantec.com](http://licensing.symantec.com) allows you to add licenses or activate additional agents/options.

**NOTE:** If you are installing a DL Backup to Disk Appliance in an existing Backup Exec environment that uses a CAS, the CAS must be at version 12.5 or higher.

**1** Review preinstallation requirements.

**Solution Components**



Dell™ PowerVault™ DL2000 System

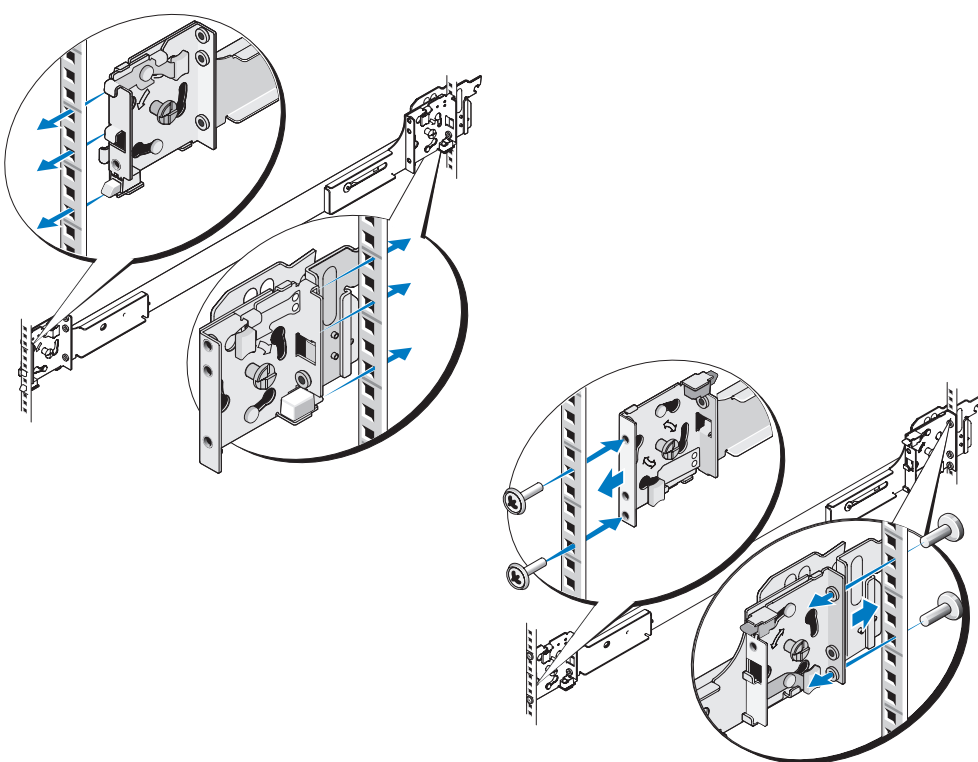
- Includes:
- System bezel
  - Power cords (2)
  - Power cord retention brackets (2)
  - Mounting rails (2)
  - Cable management arm
  - Status indicator cable (optional)
  - System media and user documentation

Dell™ PowerVault™ MD1000 Storage Enclosure

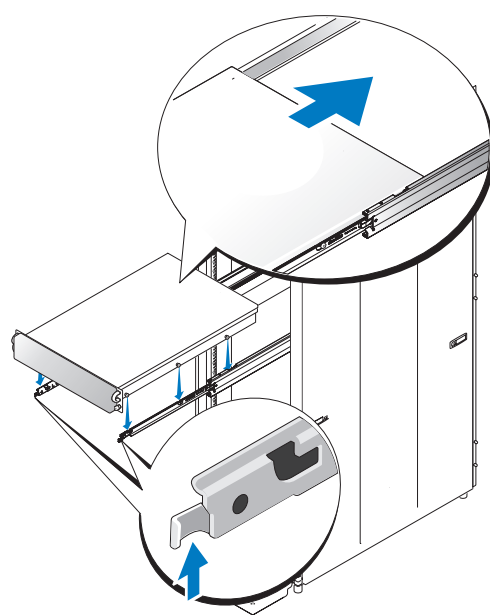
- Includes:
- System bezel
  - SAS cable
  - Power cords (2)
  - Power cord retention brackets (2)
  - Mounting rails (2)

**2** Verify that your solution is complete.

**Install the RapidRails**

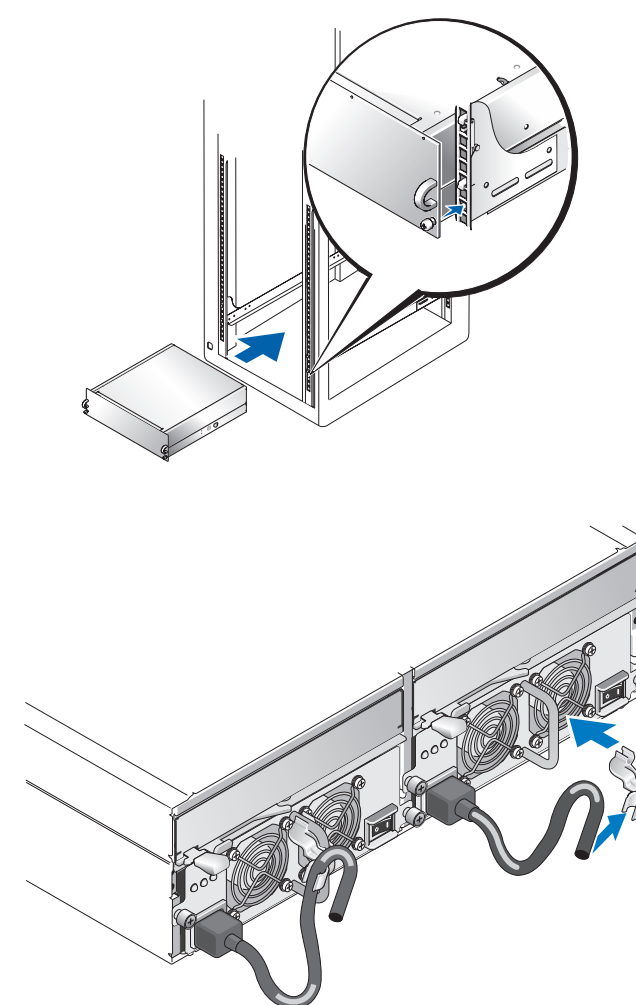
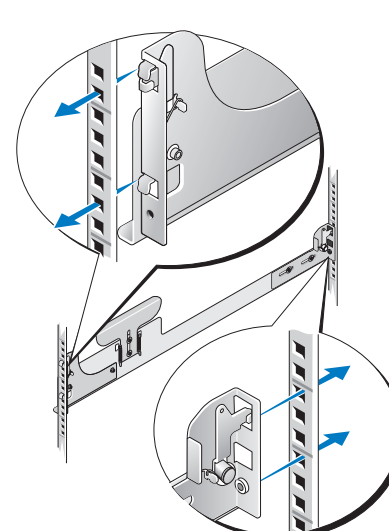


**Install the System in the Rack**



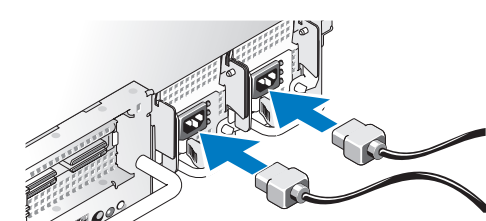
**Install the VersaRails**

**3** Install the DL2000 system in the rack. For information on specific rail type (RapidRails or VersaRails), see the documentation included with your rail kit.

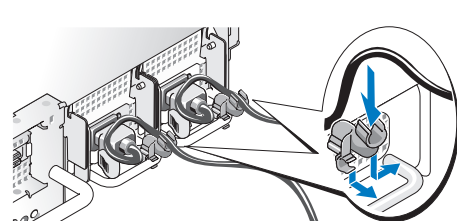


**4** Install the MD1000 in the rack and connect the power cords and power cord retention brackets.

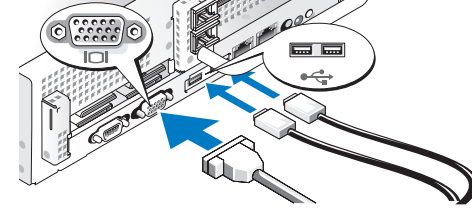
**1. Connect the Power**



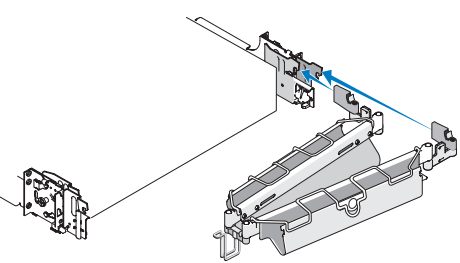
**2. Connect the Power Cord Retention Brackets**



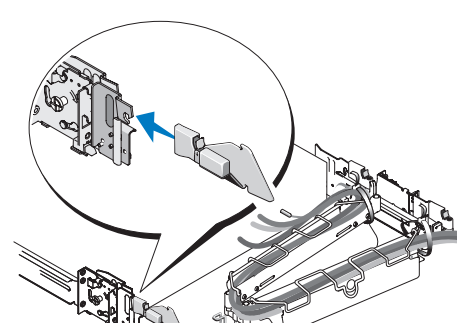
**3. Connect the Keyboard, Mouse, Monitor, and Ethernet Cables**



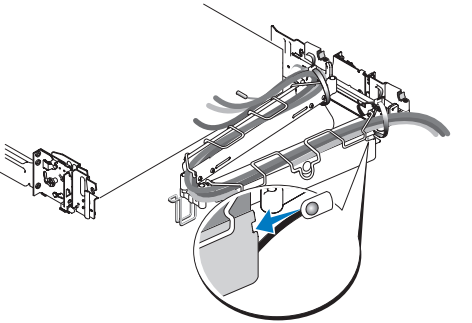
**4. Install the Cable Management Arm**



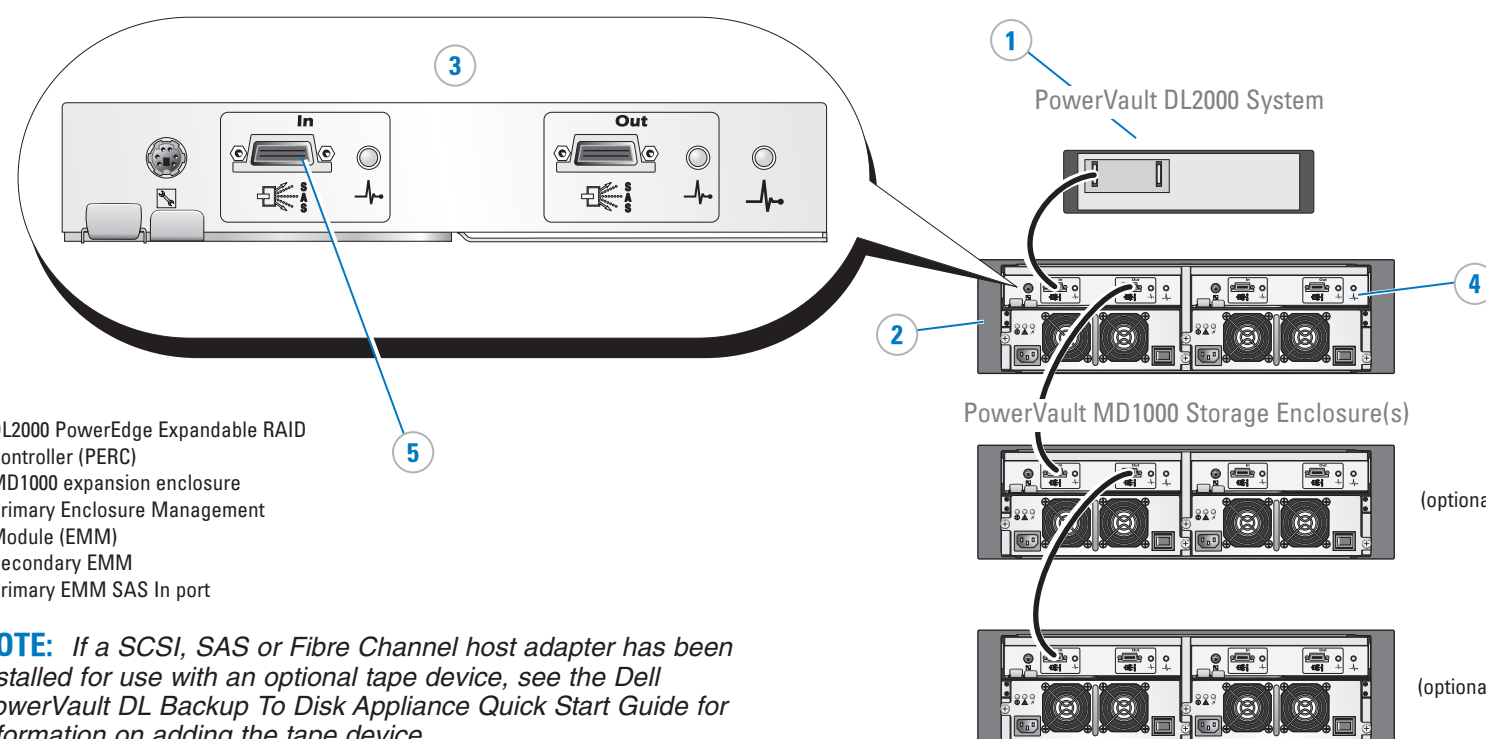
**5. Attach the Cable Management Arm Ramp Assembly**



**6. Route the Cables Through the Cable Management Arm**



**5** Connect the power and attach the power cord retention brackets. Install the cable management arm and ramp assembly, then route and secure the cables. For more information, see the documentation included with your rail kit.

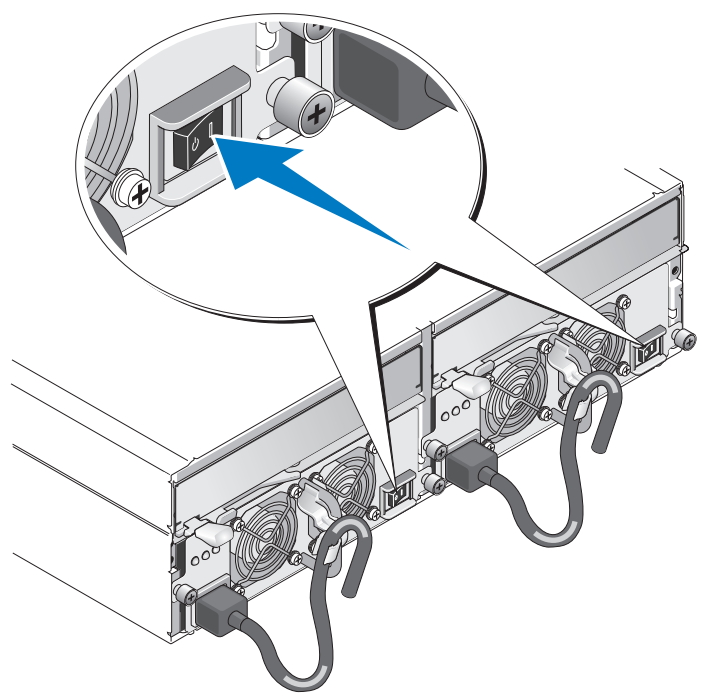


- DL2000 PowerEdge Expandable RAID Controller (PERC)
- MD1000 expansion enclosure
- Primary Enclosure Management Module (EMM)
- Secondary EMM
- Primary EMM SAS In port

**NOTE:** If a SCSI, SAS or Fibre Channel host adapter has been installed for use with an optional tape device, see the Dell PowerVault DL Backup To Disk Appliance Quick Start Guide for information on adding the tape device.

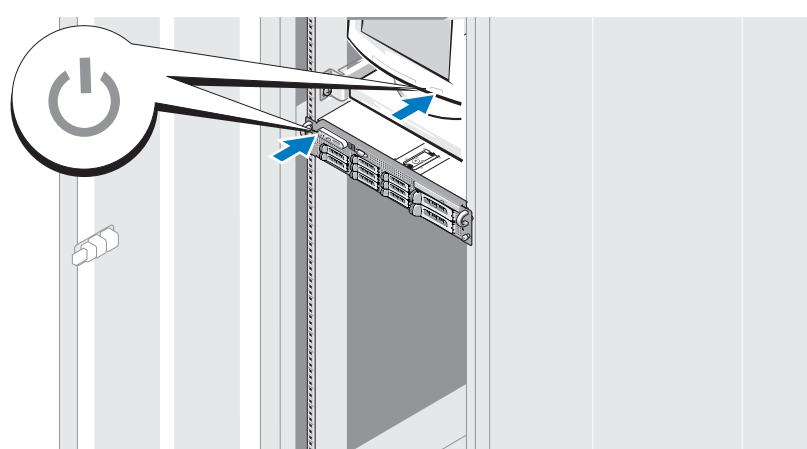
**NOTE:** If more than one MD1000 is used (up to three per PERC connection is supported), connect the SAS Out port on the primary EMM to the SAS In port of the next down-chain enclosure.

**6** Connect the SAS cable from the DL2000 PowerEdge Expandable RAID Controller (PERC) to the primary Enclosure Management Module (EMM) SAS In port on the MD1000.



Turn on components in the following order:

1. MD1000 expansion enclosure(s)
2. DL2000 system and monitor



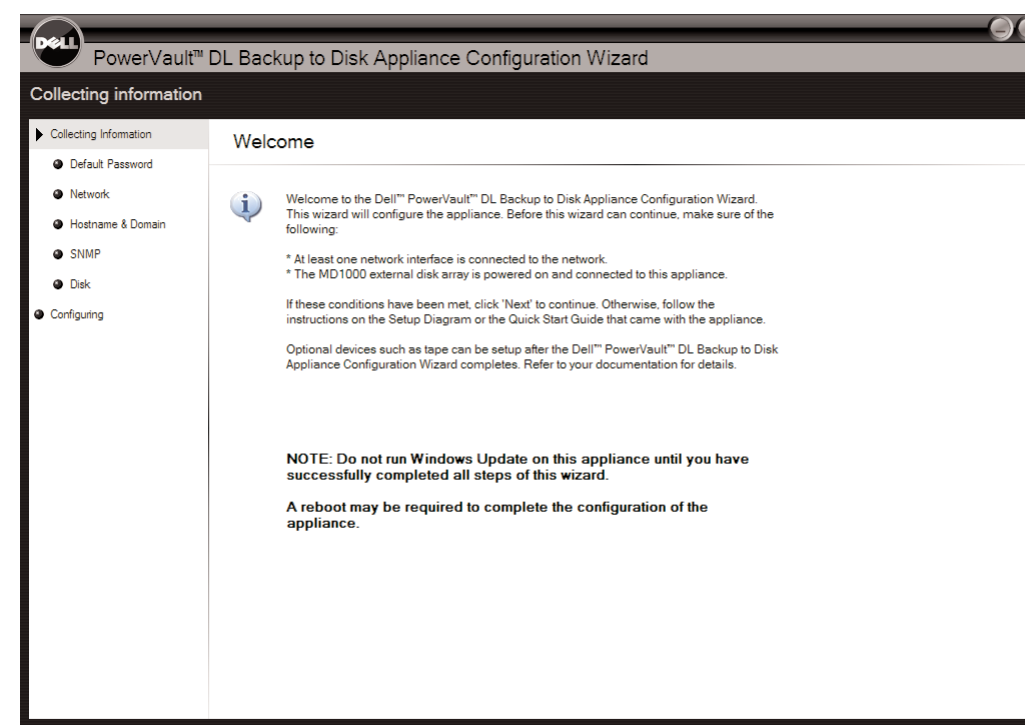
**7** Power on the system components.

### You've Installed the Hardware. What's next ?

When the system is powered on for the first time, you are prompted for a Windows password. This default password is:

**Stor@ge!**

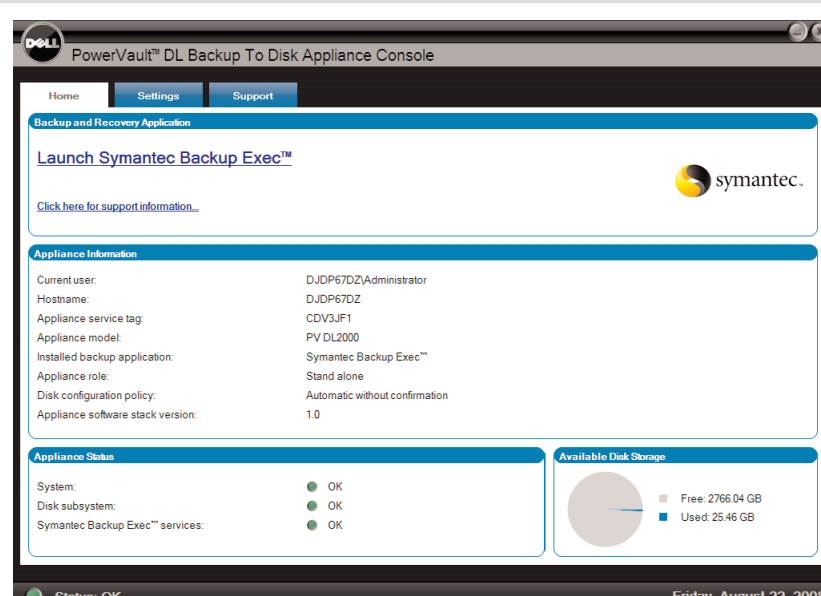
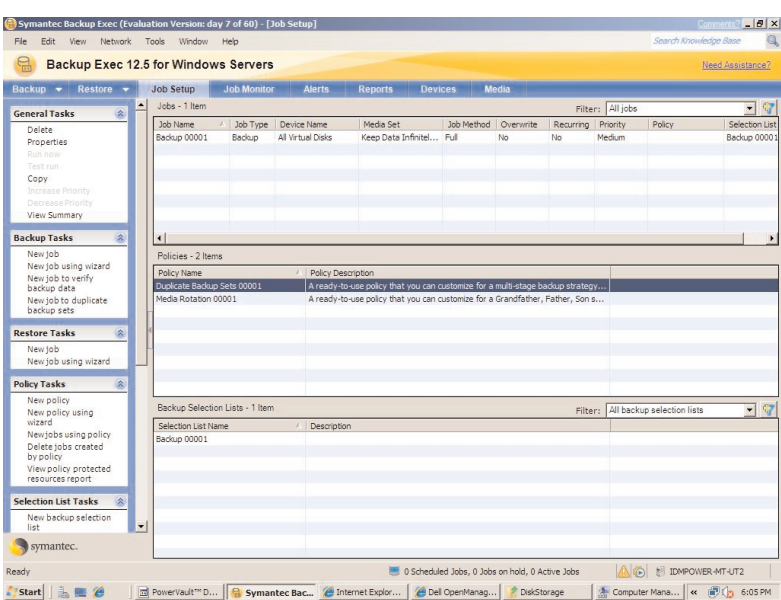
Enter this password to log on to your system for the first time. The Dell PowerVault DL Backup to Disk Appliance Configuration Wizard will automatically launch. Click **Next** to begin installing the Symantec Backup Exec software.



**8** Enter the default password to log into Windows and configure the DL Backup to Disk Appliance.

### Using the DL Backup to Disk Appliance

After the Dell PowerVault DL Backup to Disk Appliance Management Console automatically launches, click **Launch Symantec Backup Exec** (right).



Once the Symantec Backup Exec software (left) launches, Backup Exec Assistant (**Help** → **BE Assistant**) can help you:

- Create a backup job
- Install remote agents and media servers
- Perform advanced configuration
- Find references to user documentation

**9** Using the DL Backup to Disk Appliance.

### Advanced Backup Operations

For information on advanced planning, creating and scheduling backup jobs, managing backup to disk folders, customizing backup options, implementing policies and templates, setting up alerts and notifications, viewing reports, and disaster preparation and recovery, see the *Symantec Backup Exec 12.5 for Windows Servers Administrator's Guide*.

### Important Updates

For the latest operating system updates, go to [update.microsoft.com](http://update.microsoft.com).

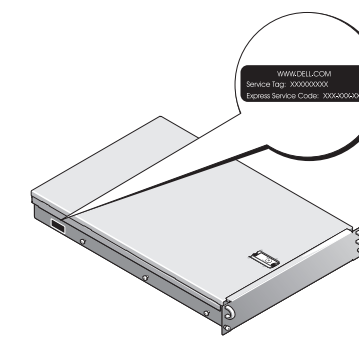
The Dell Backup to Disk Appliance Application Recovery and Update Utility at [support.dell.com](http://support.dell.com) can be used to reinstall or update Dell software.

### If You Need Help

- A complete list of solution documents is contained in the *Dell Backup to Disk Appliance - Powered by Symantec Backup Exec Quick Reference Guide* at [support.dell.com/manuals](http://support.dell.com/manuals).
- For hardware issues, refer to the PowerVault documentation set that shipped with your system. These documents are also available at [support.dell.com/manuals](http://support.dell.com/manuals).

### Locating Your System Service Tag

- When you contact technical support, the Express Service Code helps route your call to the appropriate support area and the Service Tag number helps identify your system.
- In the figure, the location of the Service Tag number and Express Service Code is shown. Write down this information and store it in a safe place.



**10** Advanced backup operations, keeping software up to date, and finding help.

Information in this document is subject to change without notice.  
© 2008 Dell Inc. All rights reserved.

Reproduction of these materials in any manner whatsoever without the written permission of Dell Inc. is strictly forbidden.

Dell, PowerVault, PowerEdge, and the DELL logo are trademarks of Dell Inc. Microsoft, Windows, and Windows Server are either trademarks or registered trademarks of Microsoft Corporation in the United States and/or other countries. Symantec, the Symantec logo, and Backup Exec are trademarks or registered trademarks of Symantec Corporation or its affiliates in the U.S. and other countries. Dell disclaims proprietary interest in the marks and names of others.

September 2008



OX641HA01

Printed in the U.S.A.

[www.dell.com](http://www.dell.com) | [support.dell.com](http://support.dell.com)

